

# TECHNIQUE T2020-2D Wheel Balancer

The Technique T2020-2D is a low speed balancer with all of the features and benefits of a 'High end' machine. The Backlit LCD screen with multifunctional and interactive keys makes it clear and easy for the operator to use. The compact design means that the T2020-2D takes up very little space in the workshop. The 2D calliper arm automatically stores the distance and diameter measurements and makes it easy to position the weights directly into place.

- **Motorised wheel balancer.**
- **Automatic 2D caliper arm rim diameter/distance.**
- **Brake Pedal-operated main shaft lock.**
- **Low rotation speed.**
- **Automatic ALU S programme.**
- **Backlit LCD display with multi-functional and interactive keys.**
- **Easy start by closing wheel guard or pressing the start key and auto stop.**
- **Brake to keep the wheel in position while fitting the weights.**

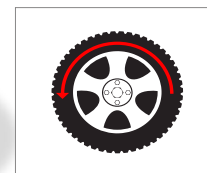
Rim Diameter	10" - 26" Automatic / 10" - 30"
Rim Width	1.5" - 22"
Max Wheel Weight	65kg
Read-out Accuracy	1g
Cycle Time	6 seconds
Rotation Speed (RPM)	< 100
Power Supply	110-230v / 50-60/1ph
Standard Accessories Kit Included: Standard Cones(x4), hand-wheel quick fit clamps, pliers, wheel width calliper and 4WD cone adaptor.	



**Auto distance and diameter measurement.**



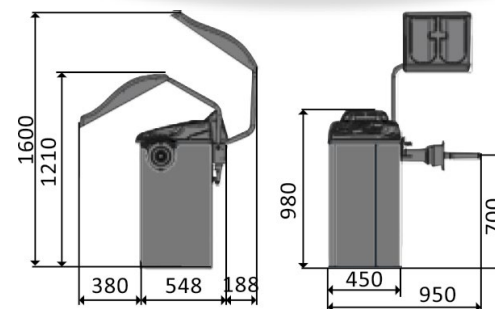
**Hidden weight mode.**



**Rim and tyre optimisation.**



**Backlit graphical LCD display.**



**dmf**  
(WAKEFIELD) LTD

**WANT TO FIND OUT MORE? GET IN TOUCH WITH US TODAY!**



(01924) 370685



sales@dmfwakefield.co.uk



www.dmfwakefield.co.uk